



## Security



### Firewall/VPN Router EAGLE20 Series

A high speed VPN, firewall, and routing solution all in one package, the EAGLE20 allows users to achieve the highest level of security for Industrial Ethernet networks. All security functions are integrated into the self-contained independent EAGLE20 platform, eliminating the need to reconfigure the system being protected or install additional drivers or software. Integration, regardless of the application or operating system, is easily done with the learning mode and default one-way communication.

#### Features & Benefits

- Scalable security functionality: pure firewall, and VPN router
- Easy integration: no need to change IP addresses in existing networks
- Simple deployment: visible in HiDiscovery and support for the USB auto configuration adapter
- Extensive diagnostics: web-based management, status LEDs, relay contact, logging to a Syslog server, integrated in HiVision
- Support for redundancy mechanisms: firewall redundancy, redundant ring coupling and network segmentation (router mode)
- Faster deployment via offline management that allows users to create EAGLE20 configuration files without having the hardware present

#### EAGLE SERIES, Firewall/VPN Router

Part No.	Order No.	Trusted Port	Untrusted/Public Port
EAGLE20 TX/TX	943 987-001	10/100BASE-TX, RJ45	10/100BASE-TX, RJ45
EAGLE20 TX/MM	943 987-002	10/100BASE-TX, RJ45	100BASE-FX-MM, SC
EAGLE20 TX/SM	943 987-003	10/100BASE-TX, RJ45	100BASE-FX-MM, SC
EAGLE20 MM/TX	943 987-004	100BASE-FX-MM, SC	10/100BASE-TX, RJ45
EAGLE20 MM/MM	943 987-005	100BASE-FX-MM, SC	100BASE-FX-MM, SC

#### Interfaces

Item	Description
• Supply fault relay output	1 x pluggable terminal block, 6 pin
• V.24 port	1 x RJ11 socket, serial interface for device configuration
• USB interface	1 x USB for connection to ACA 21-USB

#### Security

Item	Description
• Stateful Inspection Firewall	Firewall rules (incoming/outgoing, modem access, management), IP Masquerading, 1-to-1 NAT, DoS Limiter, MAC-Filter, user firewall for ext. activation of FW-rules
• Multipoint VPN	IPSec, IKEv2, DES, 3DES, AES (-128, -192, -256), Pre-Shared Key, X.509v3 Certificate, MD5, SHA-1, NAT-T, firewall rules for each VPN connection, configuration assistance via web interface, remote-controlled activate/deactivate connection.

#### Service

Item	Description
• Management	Command Line Interface (CLI), web interface, auto configuration adapter (ACA 21-USB), DHCP, HiDiscovery, Industrial HiVision
• Diagnostics	LEDs (power, link status, data, fault, ACA (V24), relay contact (24 VDC/1 A), Log file, Syslog, series configuration check
• Protocols	serial, HTTPS, SSH, SNMP v1/v2/v3, LLDP
• Further features	DHCP server/client, DHCP relay/option 82, DynDNS, firewall-access via V.24 (PPP), SNTp, VLAN support (IEEE 802.1pQ), port-forwarding

#### Redundancy

Item	Description
• Redundancy functions	Use in redundant network-/ring coupling, firewall redundancy (layer 4), redundant 24 V power supply

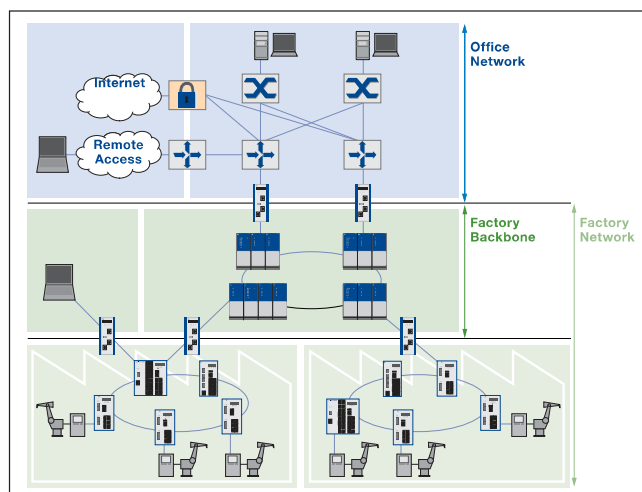


Illustration: Example of firewall/VPN router installation (EAGLE20) in a factory setting.

## The Ultimate Zone Level Security™ Switch For Your Control Network



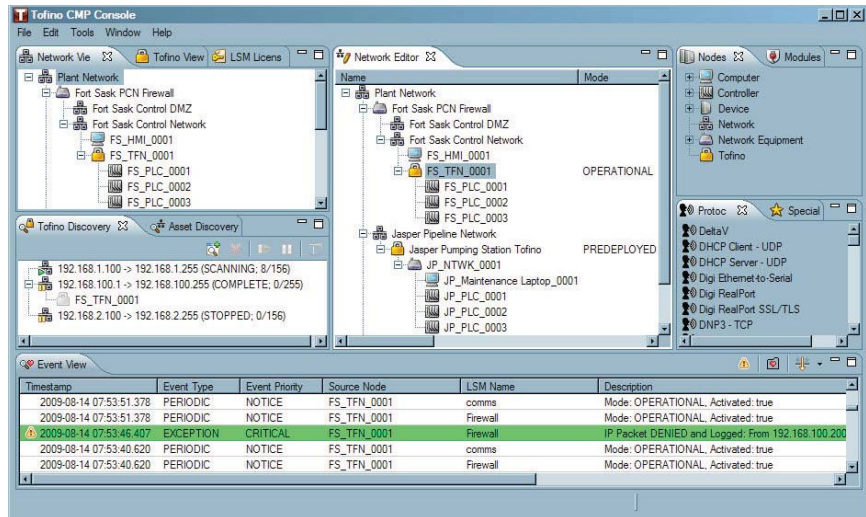
### EAGLE Tofino™

The Tofino Industrial Security Solution is a distributed security solution that quickly and cost-effectively implements cyber security protection within your control network.

Tofino's flexible architecture allows you to create security zones - Zone Level Security - throughout your control network to protect critical system components. Tofino helps you meet and exceed NERC CIP requirements and ANSI/ISA-99 Standards. And best of all, it helps you avoid expensive down time and achieve optimal performance in your plant.

#### Features & Benefits

- Securely track network devices and easily create firewall rules
- Advanced cyber threat and safety protection for your Modbus devices
- A VPN system that is easy to deploy and does not risk industrial processes
- Intuitive drag & drop - limited IT knowledge required
- Enhanced security and safety
  - Extend Cyber Security down into the control network
- Simplified regulatory and standards compliance
  - FERC / NERC CIP
  - ANSI / ISA-99
  - IEC 62443



Central Management Platform

#### EAGLE20 Tofino™ Hardware

Part No.	Order No.	Description
EAGLE20 Tofino TX/TX	943 987-501	EAGLE20 Tofino: Untrusted port - TX, trusted port - TX
EAGLE20 Tofino TX/MM	943 987-502	EAGLE20 Tofino: Untrusted port - TX, trusted port - MM
EAGLE20 Tofino MM/TX	943 987-504	EAGLE20 Tofino: Untrusted port - MM, trusted port - TX
EAGLE20 Tofino MM/MM	943 987-505	EAGLE20 Tofino: Untrusted port - MM, trusted port - MM

#### EAGLE Tofino™ Centralized Management Platform

Part No.	Order No.	Description
EAGLE Tofino Centralized Management Platform (CPM)	942 016-100	Centralized Management Platform. Required for configuring Tofinos. One instance can configure multiple devices

#### EAGLE20 Tofino™ - Loadable Security Modules (LSM's). One Required per EAGLE20 Tofino for Operation

Part No.	Order No.	Description
EAGLE Tofino Firewall LSM	942 016-110	Firewall Loadable Security Module for EAGLE Tofino
EAGLE Tofino Security Asset Management LSM	942 016-111	Security Asset Management Loadable Security Module for EAGLE Tofino
EAGLE Tofino Modbus TCP Enforcer LSM	942 016-112	Modbus TCP Enforcer Loadable Security Module for EAGLE Tofino
EAGLE Tofino VPN Server LSM	942 016-113	Virtual Private Network Server Loadable Security Module for EAGLE Tofino
EAGLE Tofino VPN Client LSM	942 016-114	Virtual Private Network Client Loadable Security Module for EAGLE Tofino
EAGLE Tofino Event Logger LSM	942 016-115	Event Logger Loadable Security Module for EAGLE Tofino

#### EAGLE20 Tofino™ - VPN License

Part No.	Order No.	Description
EAGLE Tofino VPN PC Client License	942 016-116	Virtual Private Network PC Client license for EAGLE Tofino